



FERSA PROFESSIONAL SOLUTIONS FOR HEAVY DUTY APPLICATIONS

Differentials



POSITION	Fersa
1346	
Bevel pinion pilot	F 19081
Differential right	F 15200
Differential left	F 15200
1347	
Bevel pinion front	31313 F
Bevel pinion pilot	F 19081
Differential right	33021 F 0266488
Differential left	F 15200

Wheel End



AXLE	POSITION	Fersa
LF 55 * CF 65 * CF 75 * CF 85 * XF 95 * XF 105		
Front axle	Hub Unit	F 200016
Front axle	Hub Unit	F 200019
Rear axle	Hub Unit	F 200017



Fersa the spare parts your truck needs

Gearboxes

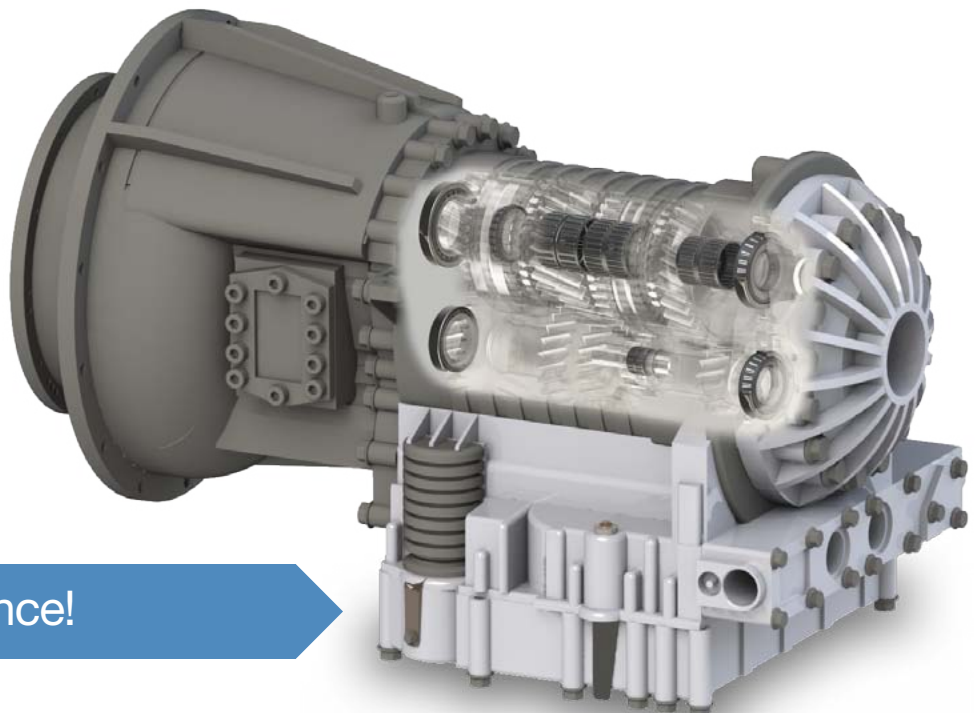


POSITION	Fersa
ZF	
S5-420	
Counter shaft front	2580/2520
Counter shaft rear	2580/2520
Main shaft front	CONE F 15084
Input shaft front	28580/28521
6S-850	
Input shaft front	F 18054
Main shaft rear	6309 2RS
Counter shaft front	344/332
Counter shaft rear	2789/2729
8S180	
Input shaft front	47490/47420
Main shaft front	CONE 4395
Main shaft rear	HM 807046/HM 807010 BT
Counter shaft front	JF 4049/JF 4010
Counter shaft rear	33889/33822
Output shaft front	F 18052
9S-109	
Input shaft front	33262 A/33461
Main shaft front	CONE F 15110
Main shaft rear	F 15212
Counter shaft front	33208 F
Counter shaft rear	33889/33822
Output shaft front	F 18052

Gearboxes



POSITION	Fersa
ZF	
16S-151	
Input shaft front	30217 F
Main shaft front	CONE 4395
Main shaft rear	F 15246
Output shaft front	F 18052
Output shaft rear	6218 C3
Counter shaft front	F 15047
Counter shaft front	5395/5335
Counter shaft rear	4580/4535
Main shaft intermediate	F 19061
16S-181	
Input shaft front	30217 F
Main shaft front	CONE 4395
Main shaft rear	F 15191
Output shaft rear	6218 C3
Counter shaft front	5395/5335
Counter shaft rear	5395/5335
16S-221	
Input shaft front	30217 F
Main shaft front	CONE 4395
Main shaft rear	F 15191
Output shaft rear	6218 C3
Counter shaft front	5395/5335
Counter shaft rear	5395/5335
Main shaft intermediate	F 19062
Output shaft front	6218 C3



Fersa rolling endurance!